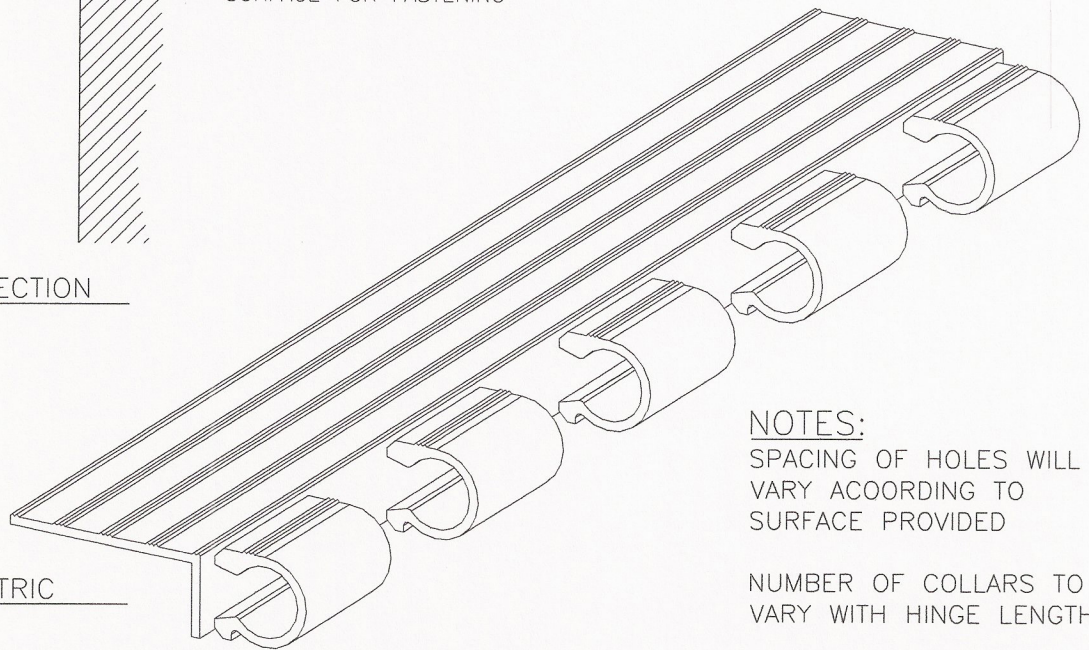


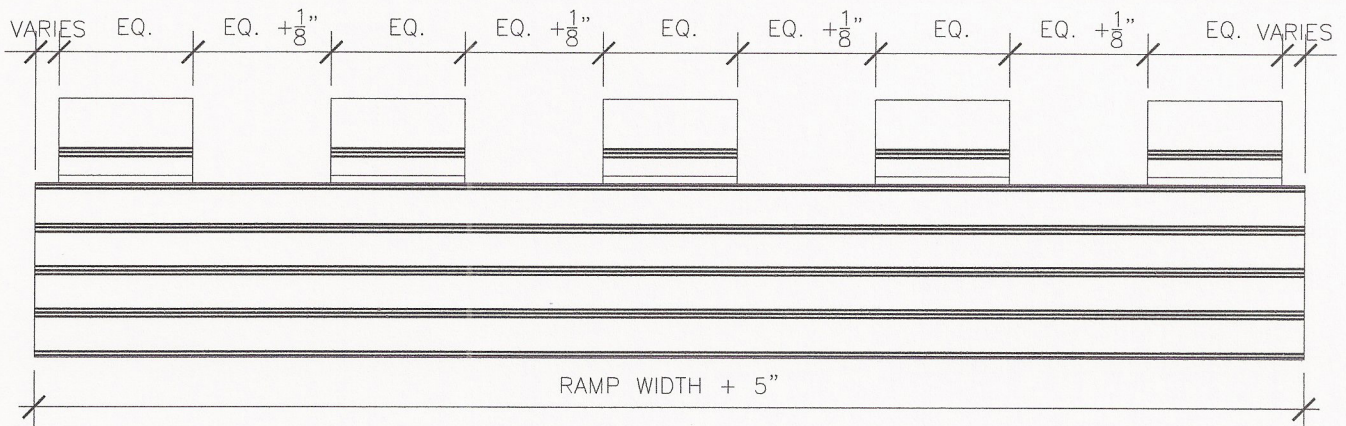
1 CROSS SECTION
6"=1'-0"



3 AXONOMETRIC
N.T.S.

NOTES:
SPACING OF HOLES WILL VARY ACCORDING TO SURFACE PROVIDED

NUMBER OF COLLARS TO VARY WITH HINGE LENGTH.



2 PLAN VIEW OF HINGE
N.T.S.

FILE NAME: ADA PIANO HINGE DETAILS.DWG

www.gangways.biz
docksrams@gangways.biz
Tel. 207-664-2121
Faf. 207-664-2533

Superior Dock
420 Christian Ridge Rd.
Ellsworth, Maine 04605

ADA "PIANO" HINGE
DITILS